

Technical Specification

Model	ECD35	ECD35E
-------	-------	--------

BIT & ROD

Bit Diameter	2"~ 3.5" (50mm~89mm)
Rod Size	T38
Rod Length	10' (3,050mm)
Hole Depth	59' (18,000mm)

DIMENSIONS

Weight	25,350 lbs (11,500kg)	26,670 lbs (12,100kg)
Overall Length	28.8' (8,800mm)	29.6' (9,035mm)
Overall Width(Shoe)	7.6' (2,305mm)	
Overall Height	9.4' (2,860mm)	

DRIFTER

Model	ED-150
Number of Blows	2,000~2,500 bpm
Impact Power, Max	16kw
Number of Revolution	0~200 rpm

TRAMMING

Ground Clearance	1.8' (555mm)
Oscillation Angle	22° (F11° / R11°)
Travelling	0 ~ 2.2 mph (0 - 3.5 km/hr)
Gradeability	30°

ENGINE

Model	Cummins 6BT5.9-C
Rated Output	119kw(160hp) / 2,200rpm
Fuel Tank Capacity	66gal (250 ℓ)
Emissions	Tier I

COMPRESSOR

Free Air Delivery	190cfm (5.4m3/min)
Air Pressure	149 lbs/in2 (10.5 kg/cm2)

BOOM

Type	FIXED BOOM	EXTENSION BOOM
Length	6.9' (2,100mm)	10.2' / 14.1'(3,100mm / 4,300mm)
Swing Angle	L10 ° / R45 °	

GUIDE SHELL

Swing Angle	L90°~R30° (Guide Shell 30°) / L45°~R30° (Guide shell 90°)
Overall Length	22.4' (6,823mm)
Slide Length	4.9' (1,500mm)
Tilt Angle	UP35° / DOWN 145°
Feed Length	11.3' (3,450mm)

DUST COLLECTOR

Suction Capacity	847cfm (24 m3/min)
Number of Filters	6
Extraction Methods	AUTO AIR PULSE JET
Pre-cleaner	STANDARD

HYDRAULIC SYSTEM

Variable Discharge	AXIAL PISTON PUMP X 2
Fixed Discharge	GEAR PUMP X 2

ROD CHANGER

Number of Rods	5+1
----------------	-----

CABIN

Standard Accessories	AIR CONDITIONER, HEATER
----------------------	-------------------------

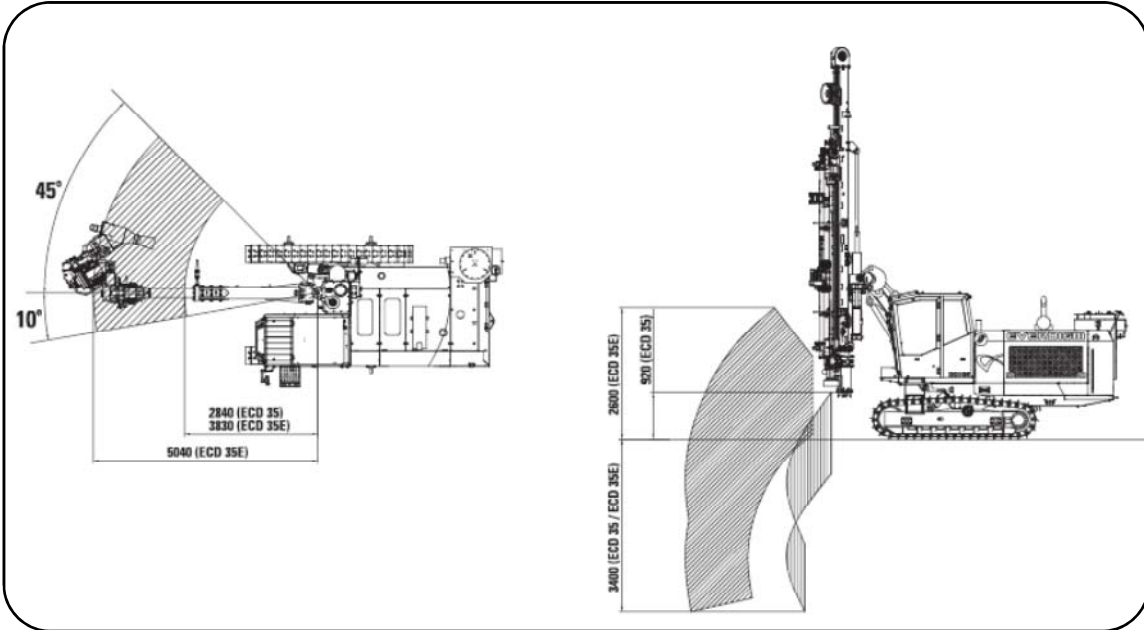
Optional Equipment

Item	Standard	Option
Extendible boom (ECD35E only)	●	—
Rod handling system prepared for 5 X 3,050mm T38 rods	●	—
Full length track guard	●	—
Work lights	●	—
Back Up Alarm	●	—
Warning horn	●	—
Engine throttle adjuster	●	—
Cab	●	—
Cab air conditioning system	●	—
Back mirror	●	—
Safety shutdown device on feed	●	—
Rod handling system(Auto rod changer)	●	—
Vertical sliding dust hood	●	—
Dust collector	●	—
Collaring system(smooth drilling system)	●	—
Anti-jamming system	●	—
Angle indicator 2-D outside	●	—
Dust pre-cleaner	●	—
Super rotation system	●	—
Thread greasing device, gelling supply system	●	—
UNF hydraulic hose couplings	●	—
Indicator for fuel, hyd. oil and compressor oil	●	—
Gas charging kit(for drifter)	●	—
Standard tool kit	●	—
Test Kit	—	●
Electric Angle Indicator	—	●
Water Spray System	—	●
Drifter Hour Meter	—	●
Rotating Beacon	—	●
Fuel Filler-Manual type	—	●

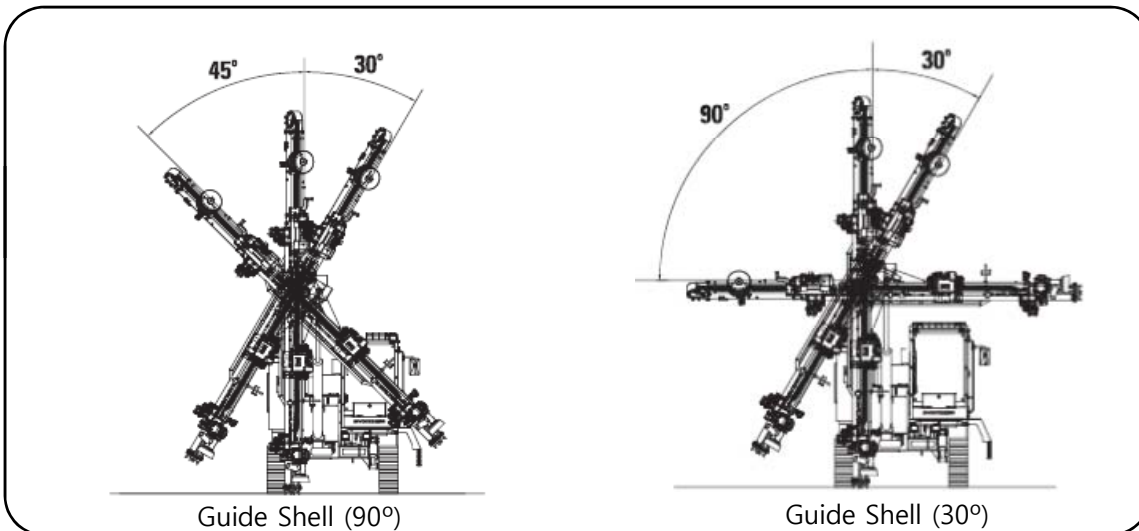
Complimentary Spare Parts

Item	Q'ty
Rod	1
Sleeve	1
Bit, Button	1
Tool box set	1
Shank Adapter	1
Overall	2
Charging kit	1
Engine Oil Filter	1
Engine Fuel filter	1
Engine Air Cleaner Filter(In)	2
Engine Air Cleaner Filter(Out)	2
Hyd Return Filter	1
Comp Oil Filter	1
Engine Seperator	1
Part Book	1

Coverage Areas(mm)



Feed Swing Angles



Dimensions(mm)

